



IP CEILING LOUDSPEAKERS

Model No. IPN-12W-C

The 12W cabinet loudspeakers are intended for good speech intelligibility and background music reproduction in general purpose indoor applications like restaurants, shops, offices and schools.

Security Systems

- Good speech intelligibility and background music reproduction
- Finished in white or black
- MDF construction
- Available with or without integral volume control
- Complies with international installation and safety regulations

Functions

The robust, solid MDF (Medium Density Fiber board) enclosures are covered with a durable, easy-to-clean vinyl in a choice of white or black.

The ABS fronts are covered with fine woven cloth in matching color. The angled front baffle results in a better, improved high frequency reproduction in the listening area.

They are available with or without an integral volume control.

Installation/Configuration Notes

The assembly can be simply and quickly installed into a hole in the ceiling cavity and secured by two integral spring-loaded ceiling locking clamps (for ceilings and wall boards from 9 to 25 mm thick). A circular template for marking a 172 mm (6.7 in) diameter hole is included with the loudspeaker.

Technical Specifications

Electrical*

Rated Power (PHC)	12W
Max. Power	18W
Sound pressure level at 12W/1 W (at 1 kHz, 1 m)	100 dB/89 dB
Effective frequency range (-10 dB)	55 Hz to 20kHz
Opening angle (at 1 kHz/4 kHz, -6 dB)	180° / 64°
Rated Voltage	70V/100V
Rated Impedance	418/833 Ohm
Diameter	220 mm (8.67 in)
Maximum Depth*	125 mm (4.92 in)
Material(frame/front grille)	Steel
Weight	1.3 Kg(2.86 lb)

Application:



Offices



Restaurants



Schools



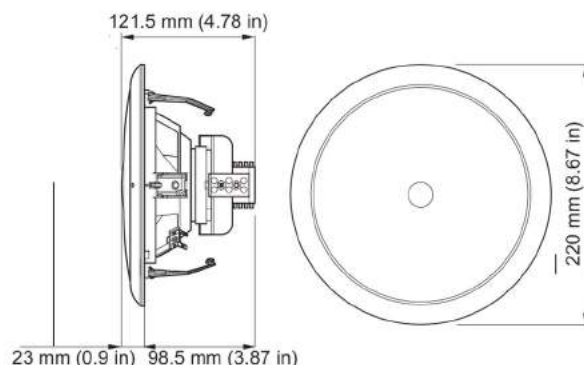
Hospitals

Certifications and Approvals

All IPNerves loudspeakers are designed to withstand operating at their rated power for 100 hours in accordance with IEC 268-5 Power Handling Capacity (PHC) standards. IPNerves has also developed the Simulated Acoustical Feedback Exposure (SAFE) test to demonstrate that they can withstand two times their rated power for short durations. This ensures extra reliability under extreme conditions, leading to higher customer satisfaction, longer operating life, and much less chance of failure or performance deterioration.

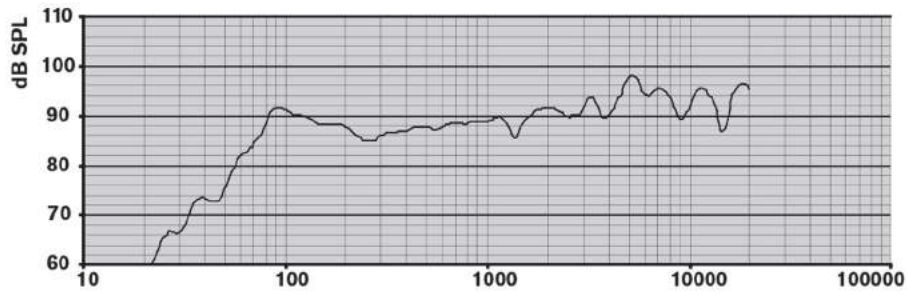
Parts Included

Quantity Component
1 Ceiling loudspeaker

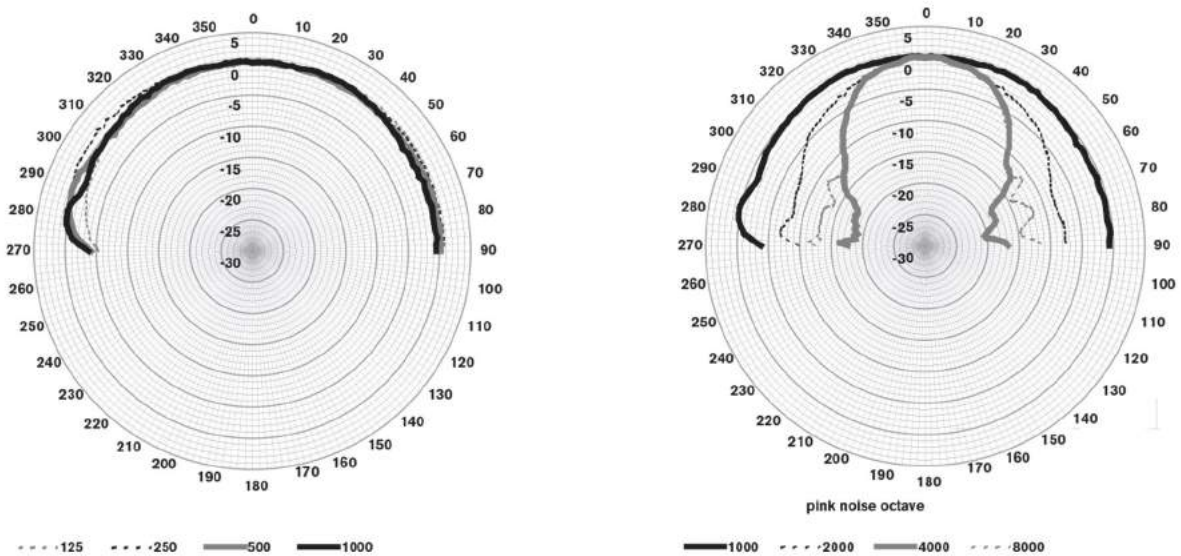




**IP CEILING
LOUDSPEAKERS**



Frequency response



Polar Diagram (measured with pink noise)